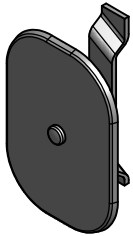
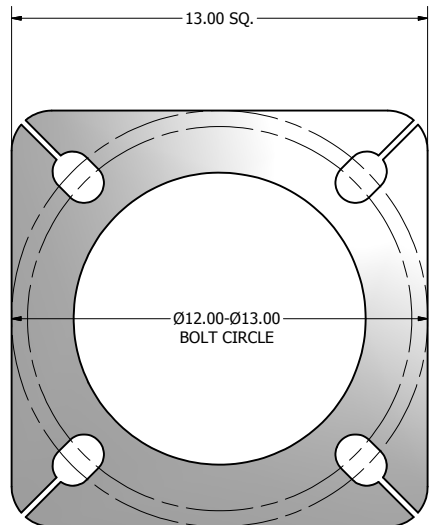


POLE SHAFT SPECIFICATIONS				
1.	SHAFTS ARE FABRICATED FROM A WELDABLE GRADE, HOT ROLLED COMMERCIAL QUALITY CARBON STEEL (ASTM A595 GR. A) WITH A GUARANTEED MINIMUM YIELD STRENGTH OF 55,000 PSI AFTER FABRICATION. IT IS A ONE-PIECE CONSTRUCTION WITH A FULL-LENGTH, LONGITUDINAL WELD. THE POLE TAPERS AT A RATE OF 0.14" PER FT.			
2.	BASE PLATES ARE CONSTRUCTED OF A STRUCTURAL QUALITY HOT ROLLED CARBON STEEL PLATE (ASTM A36) WITH A GUARANTEED MINIMUM YIELD STRENGTH OF 36,000 P.S.I.			
3.	ANCHOR BOLTS ARE FABRICATED FROM ASTM F1554 GR. 55 AND ARE "L" FORMED BARS HAVING A MINIMUM YIELD STRENGTH OF 55,000 P.S.I. THE BOLTS ARE PARTIALLY GALVANIZED PER ASTM A153 SPECIFICATIONS AND FURNISHED COMPLETE WITH 2 HEX NUTS AND 2 FLAT WASHERS.			
4.	POLES SHALL HAVE A POLYESTER POWDER COAT FINISH IN A STANDARD COLOR.			
POLE DIMENSIONS				
POLE HGT. (FT.)	TOP DIA. (IN.)	BOTTOM DIA. (IN.)	GAGE	MTG. HGT. (FT.)
37'	3.82	9.00	11 GA.	40'
BASE PLATE DIMENSIONS				
BOLT CIRCLE (IN.)	BASE PLATE DIM. (IN.)	BOLT HOLE (IN.)	PLATE THK. (IN.)	
12.00-13.00	13.00 SQ	1.25	1.00	
ANCHOR BOLT DIMENSIONS				
ANCHOR BOLT DIA. (IN.)		ANCHOR BOLT LENGTH (IN.)		
1.00		40.00		
ALLOWABLE WIND LOADING (SQ. FT.) PER ARM				
WIND*		100 MPH		
EPA		2.0		

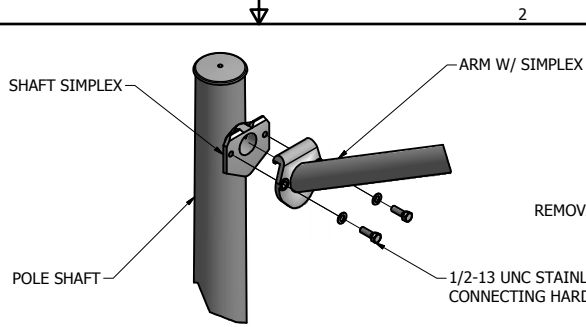
*WITH 1.3 GUST FACTOR



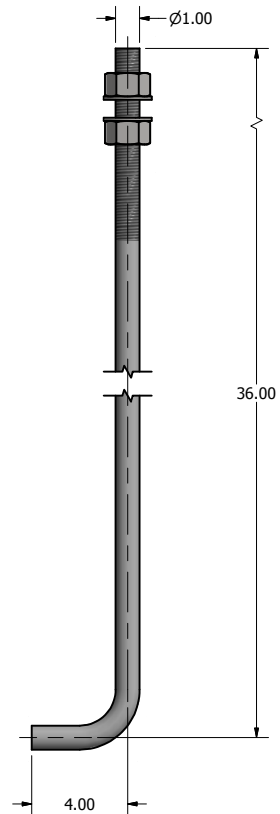
4.00 X 6.00 HAND HOLE COVER



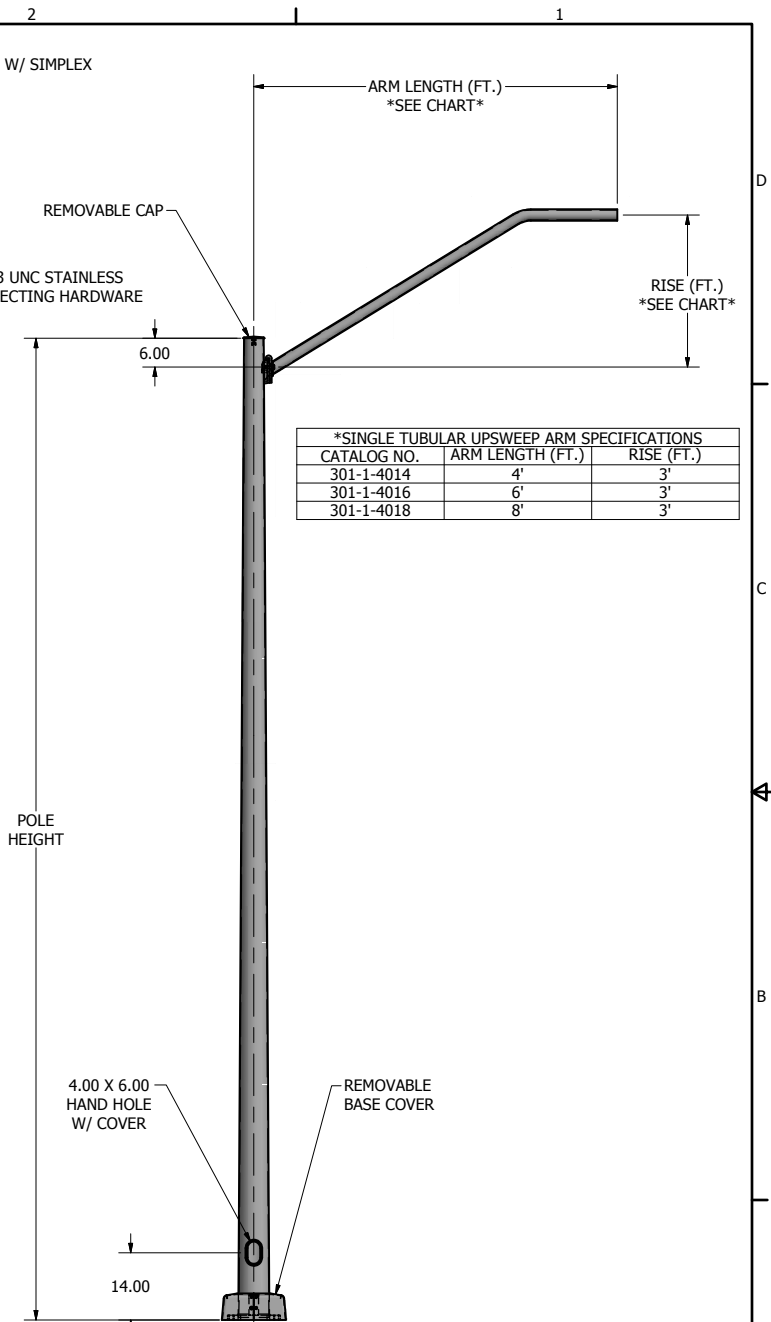
13.00 X 13.00 X 1.00 THK. BASE PLATE



2 BOLT SIMPLEX DETAIL VIEW



Ø1.00 X 40.00 ANCHOR BOLT



POLE DETAIL

*SINGLE TUBULAR UPSWEEP ARM SPECIFICATIONS		
CATALOG NO.	ARM LENGTH (FT.)	RISE (FT.)
301-1-4014	4'	3'
301-1-4016	6'	3'
301-1-4018	8'	3'



 P.O. Box 340
 Eastpointe, MI 48021
 P: (586) 771-4610 | F: (586) 771-5527
 www.lytepoles.com
a DWM company

DRAWN: M. HARVALA	2/13/2015
CHECKED:	
REVISION:	DATE:
APPROVED:	
QUOTE:	
S.O.#	
REF:	SCALE: NONE

SOME GEOGRAPHICAL AREAS HAVE SPECIAL WIND CONDITIONS THAT CAN CREATE WIND INDUCED VIBRATIONS CAUSING A FATIGUE PROBLEM. NO METHOD HAS YET BEEN FOUND FOR PREDICTING DESTRUCTIVE LIGHTING POLE VIBRATION. THESE CONDITIONS ARE UNIQUE AND CANNOT BE GUARANTEED AGAINST, AND ARE THE RESPONSIBILITY OF A LOCAL SITE ENGINEER.		
TITLE:		
CATALOG:		
DWG NO: 301-1-4014-301-1-4018	SIZE C	SHEET 1 OF 1

